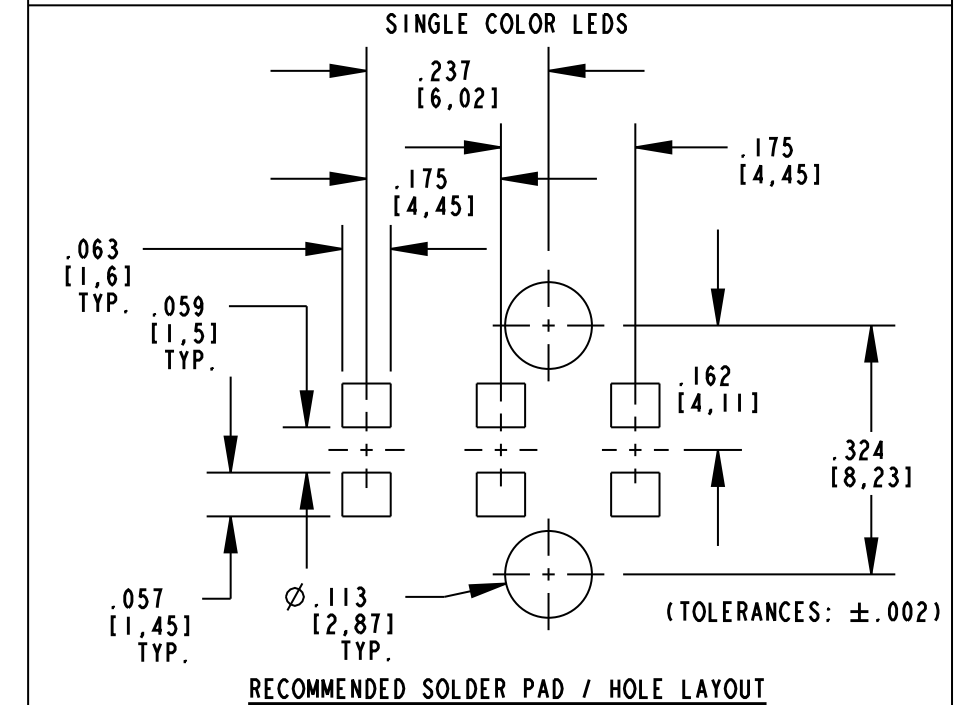
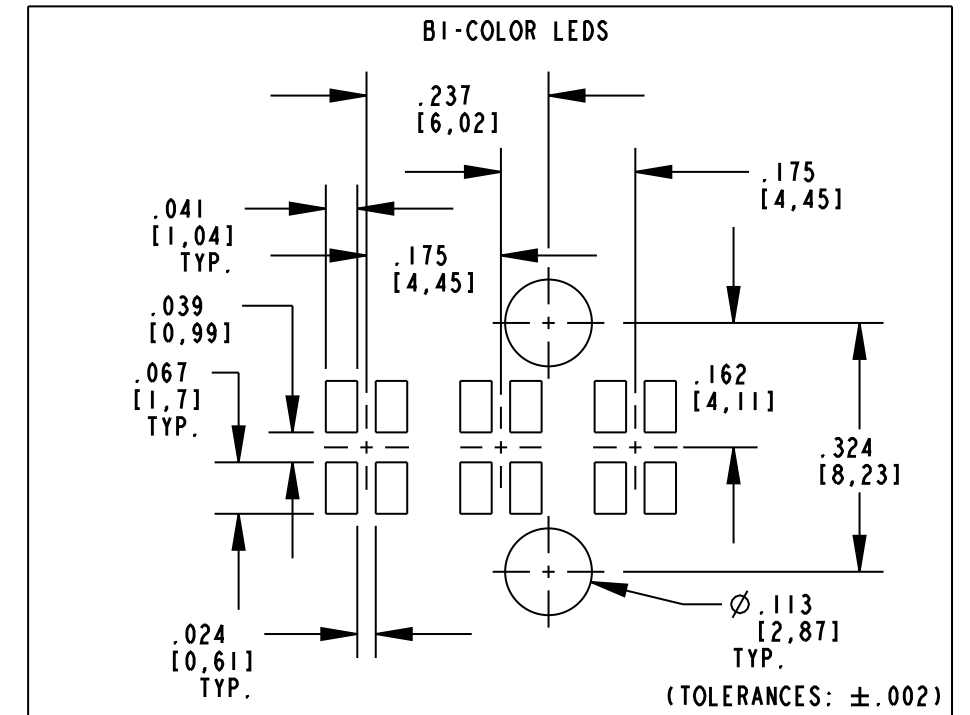
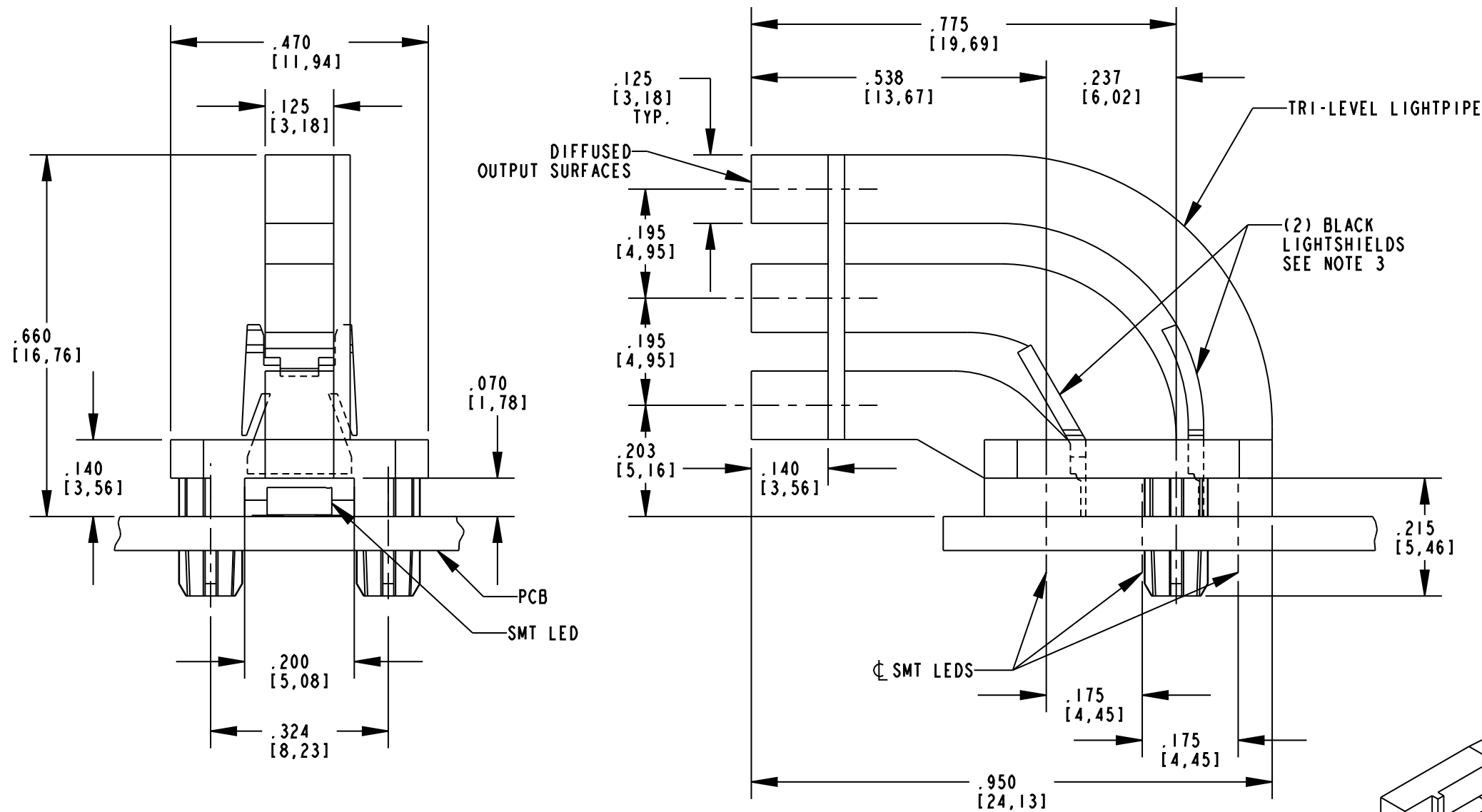


NOTES:

1. DIALIGHT PART NUMBER: 515-1108F.
2. COMPONENTS DESIGNED TO BE PRESSED INTO PCB.
3. ASSEMBLY TO CONSIST OF (1) TRI-LEVEL LIGHTPIPE AND (2) BLACK LIGHTSHIELDS INSERTED INTO GROOVES IN LIGHTPIPE.
4. RECOMMENDED SURFACE MOUNT LEDS DIALIGHT PART NUMBERS:  
597-3XX1-507F, 597-3XX2-507F (SINGLE COLOR)  
597-77X1-507F (BI-COLOR)
5. MATERIAL TO BE CLEAR TRANSMISSIVE POLYCARBONATE (UL 94V-0 FLAMMABILITY).
6. STORAGE AND OPERATING TEMPERATURE: -30 TO +100°C.

**RoHS COMPLIANT 515-1108F**  
Part Numbers with the "F" suffix ending are RoHS Compliant.  
Packaging is marked with "RoHS Compliant" label or equivalent markings.

REV	ECN NO	REVISIONS	DRN	CKD	APP	DATE
A		NEW RELEASE	AJF	KLJ	NO	10-8-10



THIS DRAWING AND THE CONTENTS HEREIN ARE CONFIDENTIAL AND THE SOLE PROPERTY OF DIALIGHT. REPRODUCTION OF THIS DRAWING OR CONSTRUCTION OF ANY PARTS WITHIN THIS DRAWING ARE FORBIDDEN WITHOUT THE WRITTEN CONSENT OF DIALIGHT.

SCALE: 4.000 ALL DIM'S IN: INCHES (MM)	DRAWING NUMBER <b>C-17872</b>	REV <b>A</b>
TOLERANCES: UNLESS OTHERWISE SPECIFIED FRACTIONS: $\pm 1/64$ DECIMALS (.XX): $\pm .02$ DECIMALS (.XXX): $\pm .015$	TITLE <b>TRI-LEVEL LIGHTPIPE WITH SHIELDS</b>	
ANGLES: $\pm 1^\circ$ FINISH:	MATERIAL <b>SEE NOTES</b>	
FSCM <b>83330</b>	<b>1501 ROUTE 34 SOUTH FARMINGDALE, NJ 07727</b>	
	SHEET <b>1</b> OF <b>1</b>	FAMILY TABLE: