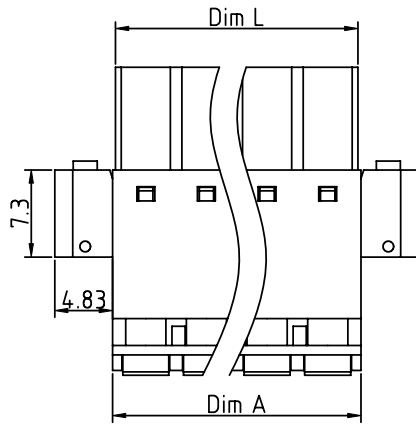


PRODUCT NUMBER	PITCH
HWxx50x200J0G	5.08 mm

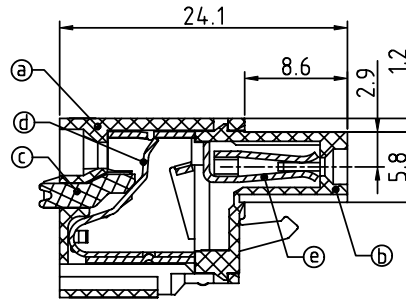
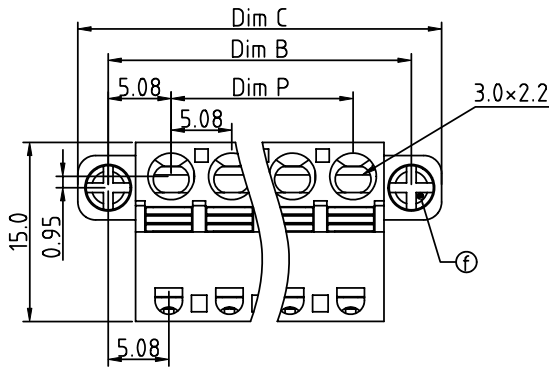
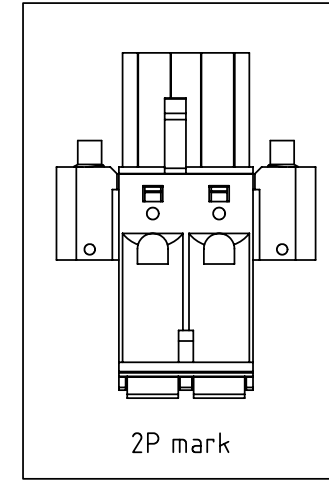


N=Number of Poles
 Dim P=(N-1)×5.08
 Dim L=N×5.08
 Dim A=N×5.08+0.5
 Dim B=(N-1)×5.08+10.16
 Dim C=(N-1)×5.08+15.24

Poles	Dim L	Dim P	Dim A	Dim B	Dim C
2P-6P	±0.15	±0.10	±0.15	±0.10	±0.15
7P-12P	±0.20	±0.15	±0.20	±0.15	±0.20
13P-18P	±0.25	±0.20	±0.25	±0.20	±0.25
19P-24P	±0.30	±0.25	±0.30	±0.25	±0.30

PART NO.: HW xx 50 x 2 00J0 G

Solid block	No. of poles	Color	RoHS compliant (lead<4%) In copper Alloy
0	2	Black (RAL9005)	
02	2 poles	Red (RAL3001/D)	
03	3 poles	Orange(RAL2011/P)	
...	...	4 Yellow(RAL1018/A)	
5	5	Green(RAL6018/T)	
24	24 poles	6 Blue (RAL5015/A)	
		8 Grey(RAL7035/D)	
		9 White(RAL1102)	
		C Green(RAL6018/U)	

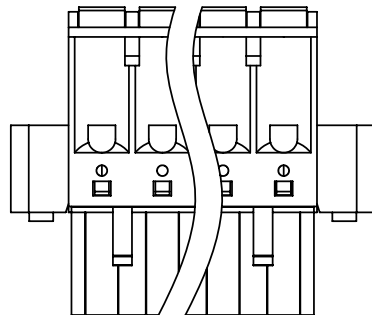


Material:

- Item@Top body:Thermoplastic (UL94V-0)
- Item@Bottom body:Thermoplastic (UL94V-0)
- Item@Terminal lever:Thermoplastic (UL94V-0) Orange(RAL2011/P)
- Item@Spring clamp:Stainless Steel
- Item@Female contact:PhBz (CuSn) Tin plated
- Item@Flange screw:Steel M2.5 plated zinc

Electrical cULus

- Voltage rating:300V
- Current rating:10A
- Solid wire(AWG):12-26
- Stranded wire(AWG):12-26
- Wire strip length:8-9mm
- Withstanding Voltage:1.6KV
- Operating temperature: -40°C to +115°C
- Safety Approval:



mat'l. code		surface ASME Y14.5 ✓	tolerance ASME Y14.5	projection	product family	
ltr ecn no dr date		tolerances unless otherwise specified			TERMINAL BLOCK	
		angles	X.±0.5	MM	title	
		X*±1°	X.X±0.3	scale	TERMINAL BLOCK	
		dr EVIN ZHONG	051514		SPRING CLAMP, PLUGGABLE PLUG, WITH FLANGE CONTACT ON DOWN SIDE	
		enr EVIN ZHONG	051514		dwg no	sheet 1 of 1
		chr HANKE FENG	051514		HWxx50x200J0G	A4
		appd SHI JUN	051514		type	CUSTOMER Drawing
sheet index	revision sheet	A	1			