

MATERIALS AND FINISHES

PART NO. 89761-1760/89761-1761  
89761-1762/89761-1763  
89761-1765/89761-1766

PART NO. 89761-1764  
SSMCX PLUG(73415-4684)  
BODY, BERYLLIUM COPPER  
PLATED TRI-METAL  
CENTER CONTACT,BERYLLIUM COPPER  
PLATED GOLD OVER TRI-METAL  
OUTER CONTACT, BERYLLIUM COPPER  
PLATED GOLD OVER TRI-METAL

SSMCX PLUG(73415-4680)  
BODY, BRASS  
PLATED GOLD

CENTER CONTACT,BRASS  
PLATED GOLD

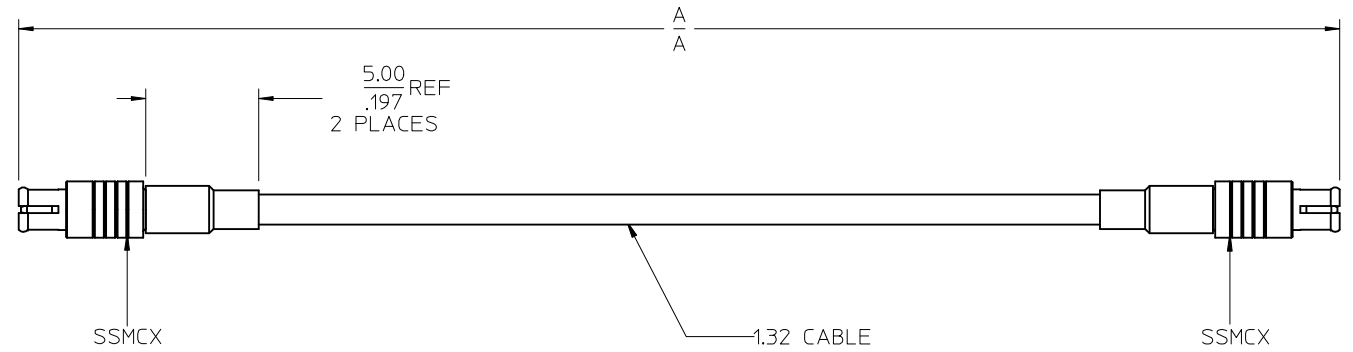
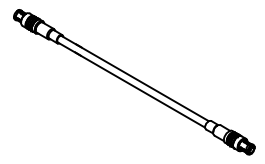
OUTER CONTACT, BeCu  
PLATED GOLD

INSULATOR, TEFLON

HEAT SHRINK TUBE, VERSAFIT V2  
COLOR BLACK

CABLE 1.32

PACKAGING BY POLYBAG



MINIMUM LENGTH

89761-1766	19.685±.197	500.00±5.00	GENERAL TYPE
89761-1765	15.748±.197	400.00±5.00	GENERAL TYPE
89761-1764	5.906±.197	150.00±5.00	NON MAGNETIC
89761-1763	3.500±.197	88.90±5.00	GENERAL TYPE
89761-1762	3.937±.197	100.00±5.00	GENERAL TYPE
89761-1761	4.921±.197	125.00±5.00	GENERAL TYPE
89761-1760	5.906±.197	150.00±5.00	GENERAL TYPE

PS-73598-0220	SSMCX SPECIFICATION	PART NO.	IN	MM	DESCRIPTION
SPECIFICATION	DESCRIPTION	DIM	A		

CHG: 89761-1765 ADD 89761-1766 AND PER PDR-0909389 EC NO: 2009/10/01 DRW:RYEH CHKD: APPR:HUANG 2009/10/01 2009/10/01 A5	QUALITY SYMBOLS ▽=0 ▽=0	GENERAL TOLERANCES (UNLESS SPECIFIED) <table border="1"> <tr> <td></td> <td>mm</td> <td>INCH</td> </tr> <tr> <td>4 PLACES</td> <td>± ---</td> <td>± ---</td> </tr> <tr> <td>3 PLACES</td> <td>± ---</td> <td>± ---</td> </tr> <tr> <td>2 PLACES</td> <td>± ---</td> <td>± ---</td> </tr> <tr> <td>1 PLACE</td> <td>± ---</td> <td>± ---</td> </tr> </table> ANGULAR ± 2 °		mm	INCH	4 PLACES	± ---	± ---	3 PLACES	± ---	± ---	2 PLACES	± ---	± ---	1 PLACE	± ---	± ---	DIMENSION STYLE MM/IN	SCALE DESIGN UNITS METRIC	THIRD ANGLE PROJECTION
				mm	INCH															
			4 PLACES	± ---	± ---															
3 PLACES	± ---	± ---																		
2 PLACES	± ---	± ---																		
1 PLACE	± ---	± ---																		
DRAWN BY JOHN DATE 2006/04/07	CHECKED BY KERRIE DATE 2006/04/07	APPROVED BY MISEN DATE 2006/04/07	TITLE SSMCX PLUG TO SSMCX PLUG STRAIGHT WITH 1.32 CABLE CA-SSMCX-P/SSMCX-P	MATERIAL NO. SEE TABLE	DOCUMENT NO. SD-89761-176															
DRAFT WHERE APPLICABLE MUST REMAIN WITHIN DIMENSIONS	SIZE C	THIS DRAWING CONTAINS INFORMATION THAT IS PROPRIETARY TO MOLEX INCORPORATED AND SHOULD NOT BE USED WITHOUT WRITTEN PERMISSION	SHEET NO. 1 OF 1																	