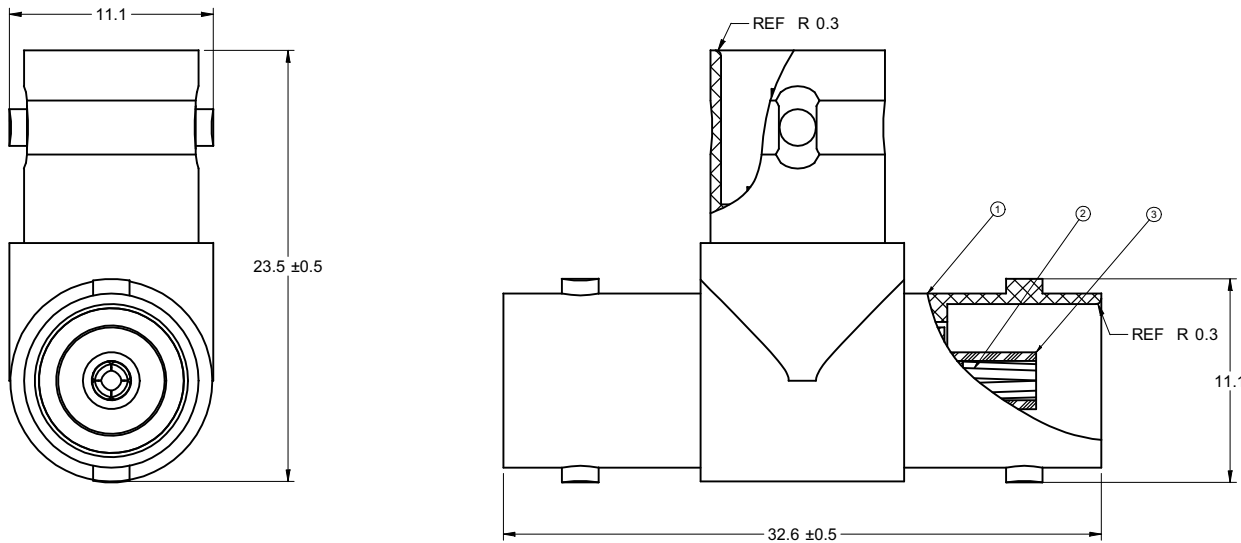
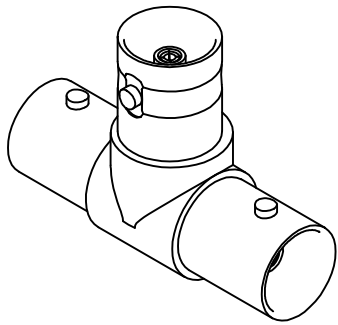


PART NUMBER	ITEM ① BODY	ITEM ② CONTACT	ITEM ③ INSULATOR
28-81417	ZINC NICKEL PLATED	BRASS GOLD PLATED	TPX

DRAWING NO. 28-81417			
REVISIONS			
01	OFFICIAL RELEASE	2009.09.0	
08-18-09	L	L	H
			Betty 08 09:36:54 -08'07



受控 CONTROLLED DOCUMENT					
编号 P/N	28-81417	版本 Rev	01	日期 Rel'd Date	SEP 14, 09



- NOTES:
1. IMPEDANCE: 75 OHMS NOMINAL
 2. FREQUENCY RANGE: 0-2 GHz
 3. RECOMMENDED TEMPERATURE RANGE: -55 °C TO +85°C
 4. FURTHER TECHNICAL DETAIL: REFER TO EMERSON DOCUMENT P/N 27-0000

THIS DRAWING TO BE INTERPRETED PER ANSI Y 14.5M - 1994

COMPANY CONFIDENTIAL

TOLERANCE UNLESS OTHERWISE SPECIFIED		DRAWN BY LINDA.WU	DATE 08-18-09
DECIMALS	mm	CHECKED BY LINDA.WU	DATE 08-18-09
X	+ 0.5	APPROVED BY THOMAS	DATE 08-18-09
X.X	+ 0.2	U/M	mm
X.XX	+ 0.1		
ANGLES	+ 0.5°		

EMERSON Network Power		Connectivity Solutions	
TITLE CPAD584 75 BNC T(F-F-F) ADAPTER			

THIS DRAWING WAS PRODUCED BY COMPUTER, DO NOT SCALE DRAWING OR UPDATE MANUALLY.		SHEET 1 OF 1	DRAWING NO. 28-81417	SIZE C
---	--	-----------------	-------------------------	-----------