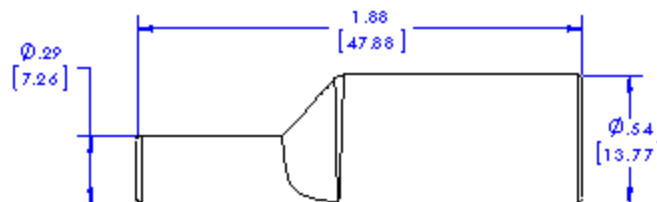
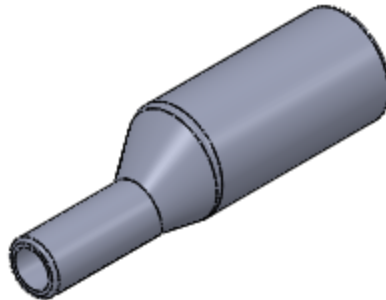


**BU-62S-@**  
(Silicone Insulator for BU-60 Series Alligator Clips)



- The BU-62S is used to Insulate BU-60, BU-60C, BU-60S, BU-60CS, BU-60TBO, BU-60X and BU-61 Series clips from foreign objects.
- Material: Flexible, high temperature silicone
- Dielectric Strength: 3KV at thinnest cross section.
- Operating temperature: -40°F (-40°C) to 356°F (180°C)
- Length = 1.9”(48mm), Large ID = .54”(13.7mm), Wire end ID = .29”(7.4mm)
- Color: “@” in part number is color. Available colors are:  
-0 Black, -2 Red,
- RoHS Compliant