

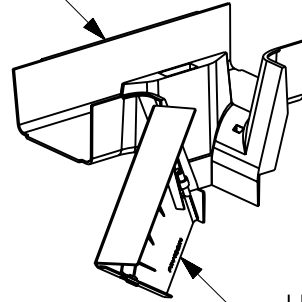
PANDUIT PART NUMBER	WEIGHT
FRVT6X4	2.05 LB/EACH (928g/EACH)



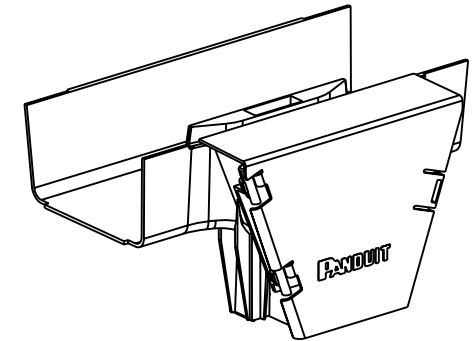
M NOTES:

1. SEE CURRENT CATALOG FOR ADDITIONAL PART SUFFIXES TO INDICATE COLOR AND/OR PACKAGE QUANTITY.
2. THE FIBERRUNNER 6x4 QUIKLOCK VERTICAL TEE FITTING INCLUDES:
ONE (1) QUIKLOCK VERTICAL TEE BASE ASSEMBLY,
ONE (1) HINGED DOOR
3. DIMENSIONS IN PARENTHESES ARE IN METRIC.

BASE ASSEMBLY



HINGED DOOR



ENG. REF.: D37185ER_DC_FRVT6X4_02.prt

CAD FILENAME/LAYERS

K FRVT6X4.pdf

PANDUIT CORP TINLEY PARK, ILLINOIS
 FIBERRUNNER 6x4 QUIKLOCK
 VERTICAL TEE FITTING (FRVT6X4)
 CUSTOMER DRAWING

UNLESS OTHERWISE SPECIFIED,
 DIMENSIONAL TOLERANCES ARE:

(.X) ± (.XXX) ±
 (.XX) ± .03 (.8) ANGLES ±

UNLESS OTHERWISE SPECIFIED,
 ALL DIMENSIONS ARE GIVEN IN
 INCHES, THIRD ANGLE PROJECTION.

DRAWN BY
 REWE
 DATE
 5-1-00
 CHK'D
 WAB

MAT'L:

ABS

SCALE
 NONE

DRAWING NO.
 37185-64
 DWG
 A
 SIZE

REV	DATE	BY	CHK	DESCRIPTION	ECN	R	CUST	SUP	GMBH
-	-----	---	---	M. REVISED GENERAL NOTES	-----	--	--		
-	-----	---	---	L. REVISED PART WEIGHT K. REVISED CAD FILENAME	-----	--	--		
4	7-24-06	DTP	RN	J. REVISED DRAWING TITLE I. REVISED AND REDRAWN	37185-64	RN	RN		