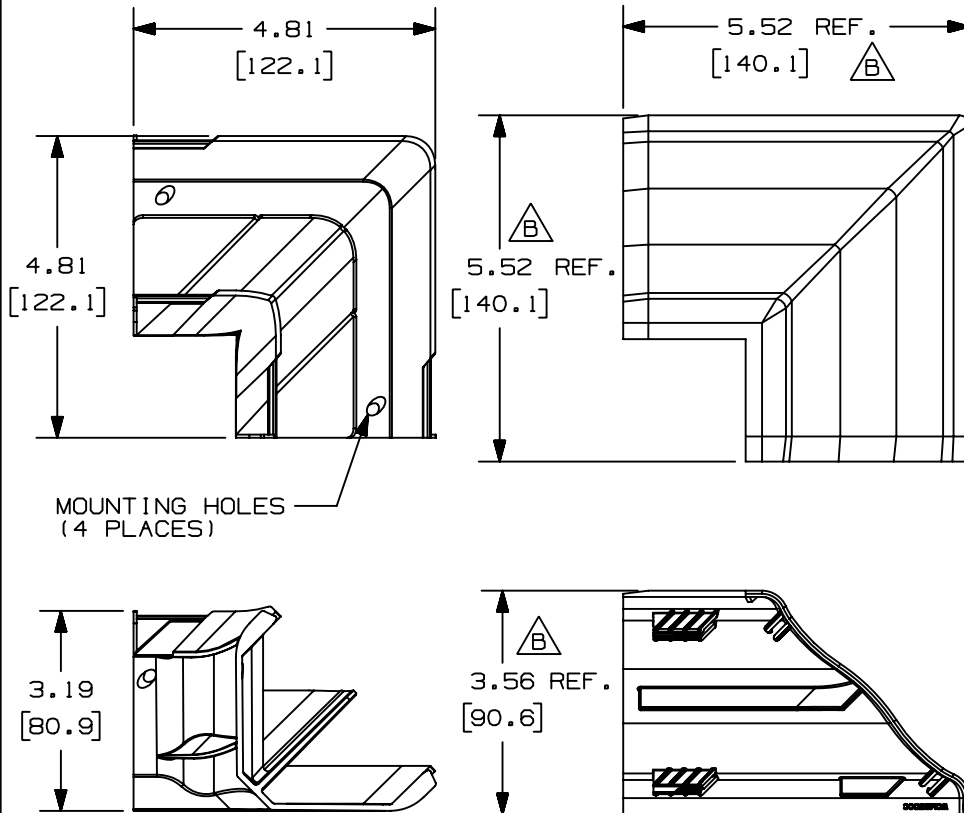


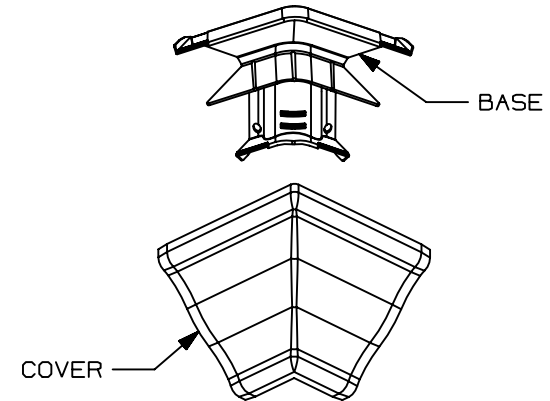
THIS COPY IS PROVIDED ON A RESTRICTED BASIS AND IS NOT TO BE USED IN ANY WAY DETRIMENTAL TO THE INTERESTS OF PANDUIT CORP.



PANDUIT PART NO.	WEIGHT
WCM350C	.42 LBS [190.7 G]

NOTES:

1. SEE CURRENT CATALOG FOR ADDITIONAL PART NUMBER SUFFIXES TO INDICATE COLOR AND/OR PACKAGE QUANTITY.
2. THIS PRODUCT IS INTENDED TO BE USED WITH PANDUIT TYPE WCM35 RACEWAY.
3. THIS PRODUCT IS FEATURED WITH A 1" BEND RADIUS.
4. DIMENSIONS IN PARENTHESIS ARE IN METRIC.
5. NOMINAL WALL THICKNESS FOR BASE AND COVER IS .100" [2.54].



CAD FILENAME/LAYERS D37786CV_DC_WCM350C_01A.PRT

PANDUIT CORP. TINLEY PARK, ILLINOIS
3.5 INCH COVE MOLDING
OUTSIDE CORNER FITTING (WCM350C)
CUSTOMER DRAWING

REV	DATE	BY	CHK	DESCRIPTION	ECN	CHK	CUST	SUP
2	09-30-03	JBN	RMH	B. REVISED DIMENSION TO REFERENCE	37786-16	RGRO	RGRO	
-	-----	-----	-----	RELEASED TO PRODUCTION	-----	-----	-----	
1	11-13-02	JHEFRMH		A. REVISED PART DESCRIPTION	37786-16	RGRO	RGRO	
R	04-09-02	JBN	BKR	DRAWING RELEASED				

UNLESS OTHERWISE SPECIFIED,
DIMENSIONAL TOLERANCES ARE:
(.X) ± (.XXX) ± .015 (.38)
(.XX) ± .03 (.8) ANGLES ±

UNLESS OTHERWISE SPECIFIED,
ALL DIMENSIONS ARE GIVEN
IN INCHES, THIRD ANGLE PROJECTION.

DRAWN BY JBN
DATE 04-09-02
CHK'D BKR

MAT'L: PVC

SCALE NONE
DRAWING NO. 37786-16
DWG SIZE A