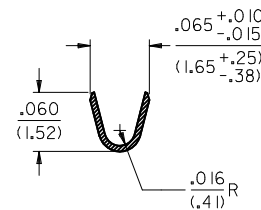
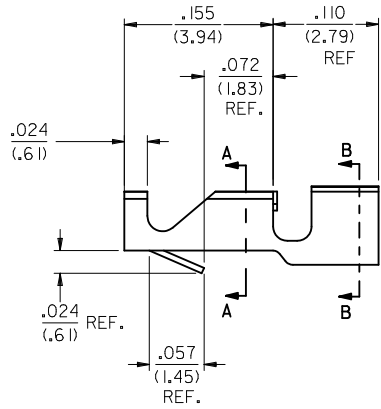


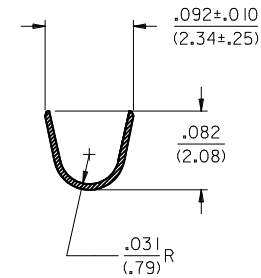
NOTES:

1. MATERIAL: (.015±.01)/.006±.0004 BRASS ALLOY 260
2. TERMINALS CONFORM TO SOLERABILITY SPEC I52
3. TERMINAL FOR USE WITH 22-26 AWG STRANDED WIRE OR 22 AWG SOLID WIRE. INSULATION DIA (1.52)/.060 MAX
4. WIND PER ES-339-B
5. PLATING PER SDES-88 (909) \* OVERALL HOT TIN DIP: .00254 MICROMETERS MIN.
6. RECOMMENDED PC BOARD HOLE SIZE: (1.29±.05) / .051±.002 DIA.
7. RECOMMENDED PC BOARD THICKNESS: (1.57±.20) / .062±.008
8. PRODUCT SPECIFICATION: PS-4706-001
9. ENG. NO. 42001-0004 AVAILABLE IN MOLEX BRAZIL ONLY.

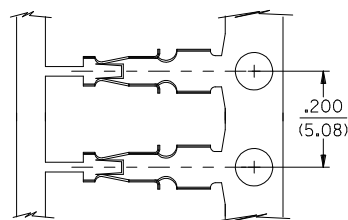
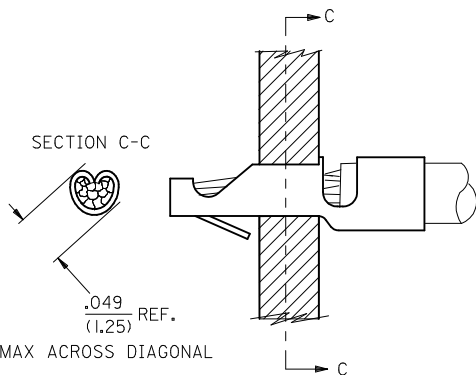
\*THE PRIMARY SHIPPING CARTON WILL BE LABELED "COMPLIANT TO ROHS DIRECTIVE 2002/95/EC AND ELV ANNEX II OF DIRECTIVE 2000/53/EC." CARTONS WITHOUT THIS LABEL MAY CONTAIN PRODUCT WITH TIN-LEAD PLATING.



SECTION A-A



SECTION B-B



EDP NO.	ENG NO.	PLT
040-08-0605	42001-0001	P909
040-02-0601	42001-0002	I22
040-01-0610	42001-0003	999
040-08-0606	42001-0004	P224

SEE NOTE 9

<b>CHANGE TO ME10</b> EC NO: UCP2005-0966 DRWN:ADRATNOL 2004/11/19 CHKD:SAMIEC 2008/04/08/89 APPR:MMARGULIS 2008/04/11/084	QUALITY SYMBOLS ▽=0 ▽=0	GENERAL TOLERANCES (UNLESS SPECIFIED) <table border="1"> <thead> <tr> <th></th> <th>mm</th> <th>INCH</th> </tr> </thead> <tbody> <tr> <td>4 PLACES</td> <td>± .005</td> <td>± .0005</td> </tr> <tr> <td>3 PLACES</td> <td>± .003</td> <td>± .0003</td> </tr> <tr> <td>2 PLACES</td> <td>± 0.38</td> <td>± .015</td> </tr> <tr> <td>1 PLACE</td> <td>± .005</td> <td>± .0005</td> </tr> </tbody> </table>		mm	INCH	4 PLACES	± .005	± .0005	3 PLACES	± .003	± .0003	2 PLACES	± 0.38	± .015	1 PLACE	± .005	± .0005	DIMENSION STYLE <b>IN/MM</b>	SCALE --- <b>INCH</b>	DESIGN UNITS <b>INCH</b>	THIRD ANGLE PROJECTION
		mm	INCH																		
	4 PLACES	± .005	± .0005																		
	3 PLACES	± .003	± .0003																		
2 PLACES	± 0.38	± .015																			
1 PLACE	± .005	± .0005																			
DRAFT WHERE APPLICABLE MUST REMAIN WITHIN DIMENSIONS		MATERIAL NO. <b>SEE CHART</b>	DRAWN BY KSAMIEC	DATE 09/09/94	TITLE <b>TERMINAL STRAIN RELIEF (5.08)/2.00 CENTERS</b>	MOLEX INCORPORATED															
SIZE <b>C</b>		THIS DRAWING CONTAINS INFORMATION THAT IS PROPRIETARY TO MOLEX INCORPORATED AND SHOULD NOT BE USED WITHOUT WRITTEN PERMISSION	DOCUMENT NO. <b>SD-42001</b>	SHEET NO. <b>1 OF 1</b>																	
REV <b>H1</b>																					