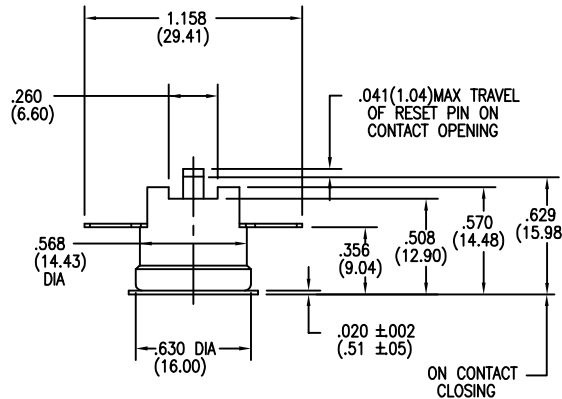
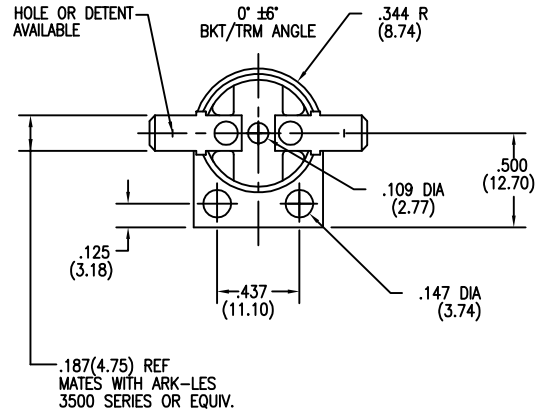


2

1

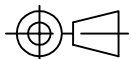
HONEYWELL
PART NUMBER
—

REV	DOCUMENT	CHANGED BY	CHECK
A	0042617	MBH 25AUG08	ASD



DESIGN UNITS:	INCH		
TOLERANCES UNLESS NOTED:	DEC:±.015 MMS:±.38		
NO PLACES	X	±	—
ONE PLACE	.X	±	—
TWO PLACE	.XX	±	—
THREE PLACE	.XXX	±	.015
ANGLES	X	±	—

THIRD ANGLE PROJECTION



DRAWN	DJD	03FEB93
CHECK	MF	07JUN93
THIS DRAWING COVERS A PROPRIETARY ITEM AND IS THE PROPERTY OF HONEYWELL. THIS DRAWING IS NOT TO BE COPIED OR USED WITHOUT THE PERMISSION OF HONEYWELL.		
INTERPRET PER ASME Y14.5M-1994 OTHER HONEYWELL ENGINEERING STANDARDS MAY APPLY		
AUTOCAD 2D		

Honeywell				
TITLE THERMOSTAT SPST				
SIZE	TYPE	CAGE CODE	DRAWING NAME	REV
A	E	14604	2450CM421	A
SCALE	2:1		SHEET	1 OF 1

2

1