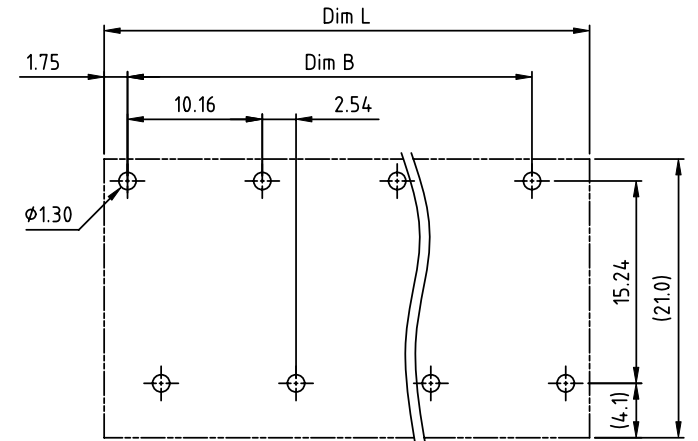
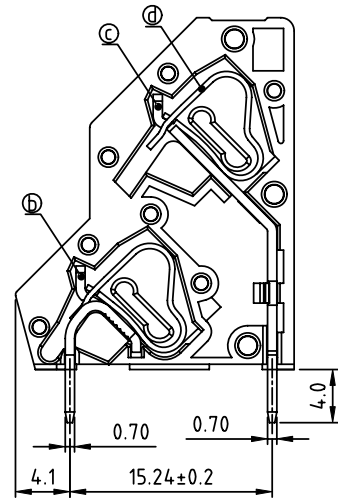
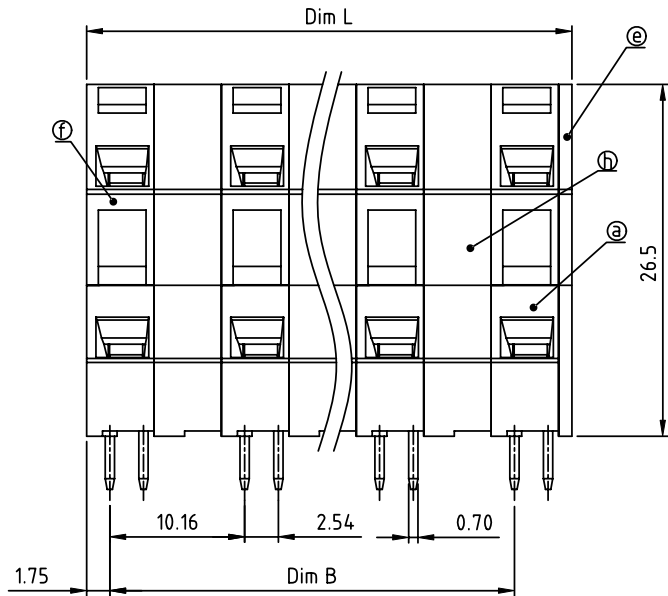


| | |
|----------------|---------|
| PRODUCT NUMBER | PITCH |
| HQxx40x100J0G | 10.16mm |



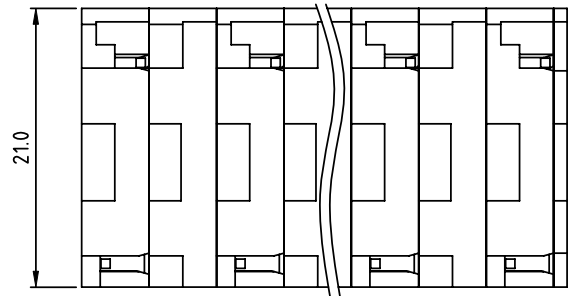
RECOMMENDED P.C.B LAYOUT
TOP VIEW

Material:

- Item①Terminal housing: Thermoplastic (UL94V-0)
- Item②Short pin: Brass, Tin plated
- Item③Long pin: Brass, Tin plated
- Item④Spring clamp: Stainless steel
- Item⑤Terminal cover: Thermoplastic (UL94V-0)
- Item⑥Terminal side housing: Thermoplastic (UL94V-0)
- Item⑦Pad board: Thermoplastic (UL94V-0)

Electrical:

- cULus
- Voltage rating: 300V
 - Current rating: 10A
 - Wire range:
 - Solid wire(AWG): 12-28
 - Stranded wire(AWG): 12-28
 - Wire strip length: 5-6mm
 - Withstanding Voltage: 1.6KV
 - Operating temperature: -40°C to +115°C
 - Soldering temperature: 260°C±5°C/5 Sec
 - Safety Approval: cULus



PART NO.: HQ xx 40 x 100J0 G

N=Number of poles
Dim L=(N/2-1)×10.16+6.08
Dim B=(N/2-1)×10.16

| Poles | Dim L | Dim B |
|------------|-------|-------|
| 2×2p-2×6p | ±0.15 | ±0.15 |
| 2×7p-2×12p | ±0.30 | ±0.30 |

| No. of poles | Color | RoHS compliant |
|---------------|---------------------|-----------------|
| 0 | Black (RAL9005) | (lead<4%) |
| End Stackable | 2 Red (RAL3001/D) | In copper Alloy |
| 04 2x2 poles | 3 Orange(RAL2011/P) | |
| 06 2x3 poles | 4 Yellow(RAL1018/A) | |
| ... | 5 Green(RAL6018/T) | |
| 24 2x12 poles | 6 Blue (RAL5015/A) | |
| | 8 Grey(RAL7004/P) | |
| | 9 White(RAL1102) | |
| | C Multiple colors | |

| | | | | | |
|---------------------------------------|------------|-----------------------|-------------------------------|------------|---|
| mat'l. code | | surface ASME Y14.5 | tolerance ASME Y14.5 | projection | product family TERMINAL BLOCK |
| ltr | ecn no | dr | date | MM | title TERMINAL BLOCK SPRING CLAMP,4SD WIRE INLET,2-LEVEL, INTERLACE TYPE |
| tolerances unless otherwise specified | | angles | X.±0.5 X.X±0.3 X.XX±0.1 | | |
| dr | EVIN ZHONG | | 053014 | | dwg no |
| enr | EVIN ZHONG | | 053014 | | sheet 1 of 1 |
| chr | HANKE FENG | | 053014 | | size |
| appd | SHI JUN | | 053014 | | A4 |
| sheet index | revision | A | 1 | | type CUSTOMER Drawing |