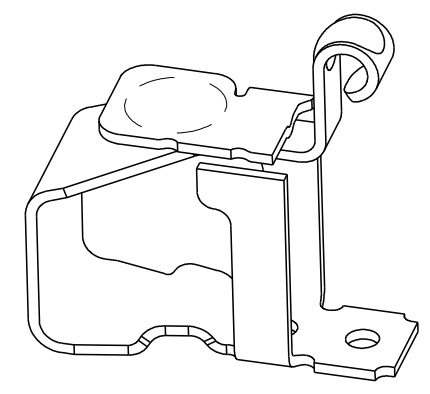
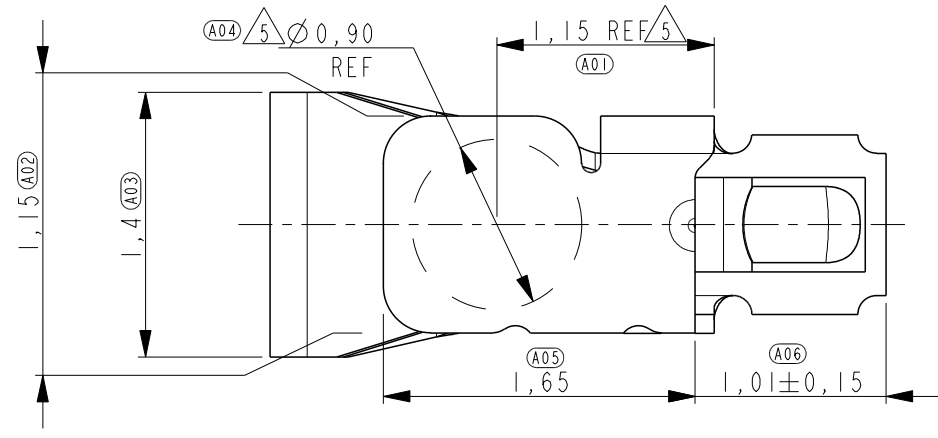


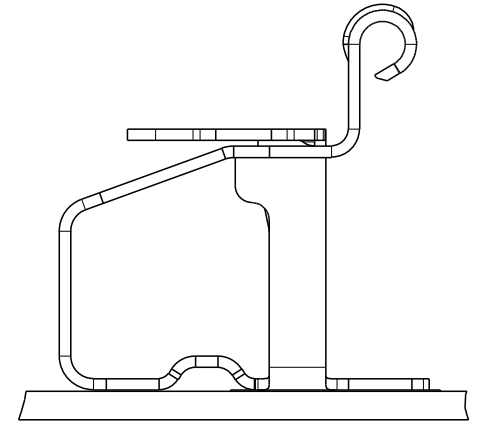
THIS DRAWING IS UNPUBLISHED. RELEASED FOR PUBLICATION
 © COPYRIGHT - BY - ALL RIGHTS RESERVED.

LOC ES DIST 00

REVISIONS					
P	LTR	DESCRIPTION	DATE	DWN	APVD
	A	NEW RELEASE	7DEC2012	T.Z	S.Y
	A1	UPDATED PER ECR-14-004955	27JUL2014	T.Q	W.K

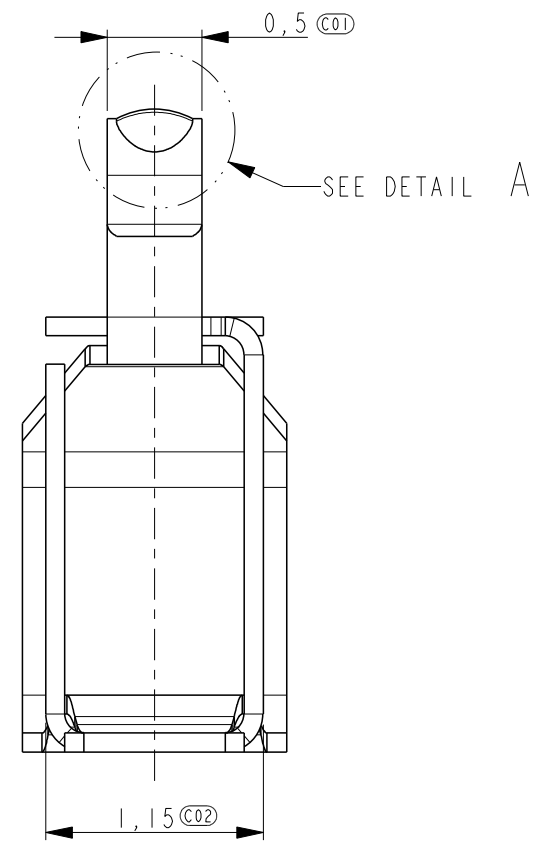
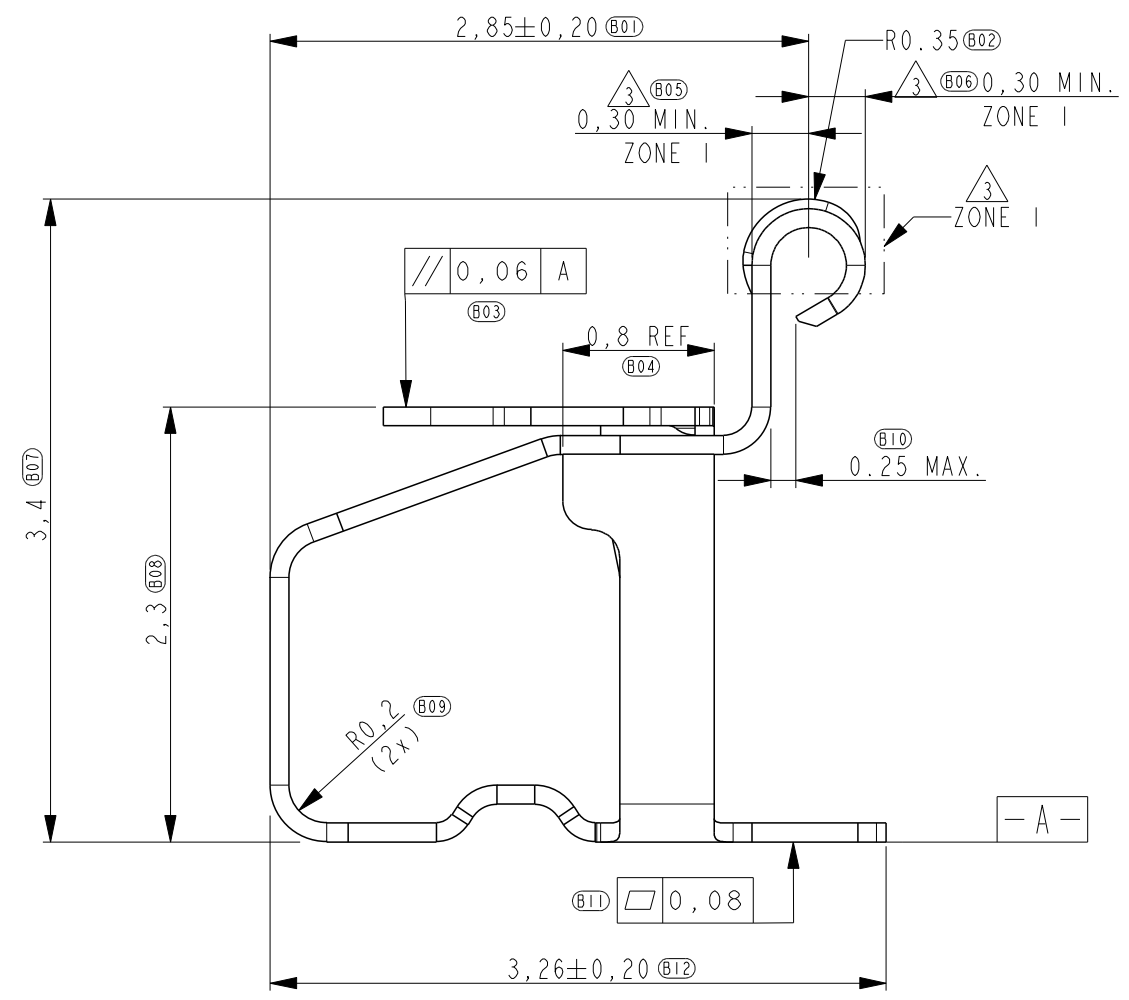


SCALE 15:1

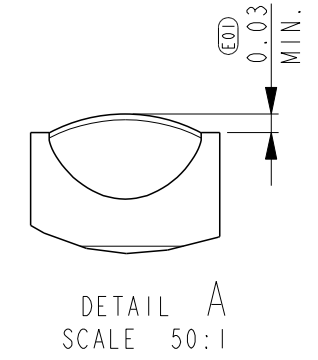


SCALE 15:1

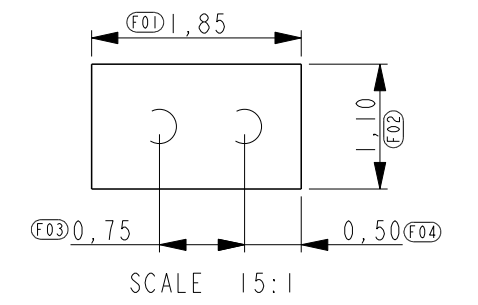
REFERENCE VIEW FOR COMPONENT PLACEMENT



SEE DETAIL A



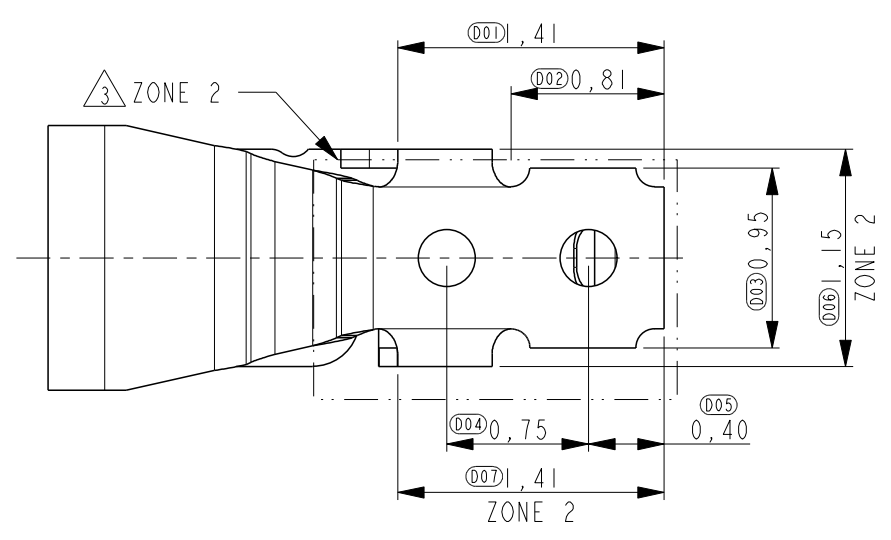
DETAIL A SCALE 50:1



SCALE 15:1

RECOMMENDED PWB LAY-OUT (±0.05)
 DASHED CIRCLES ARE THE LOCATION OF THE SPRING FINGER BOTTOM HOLES

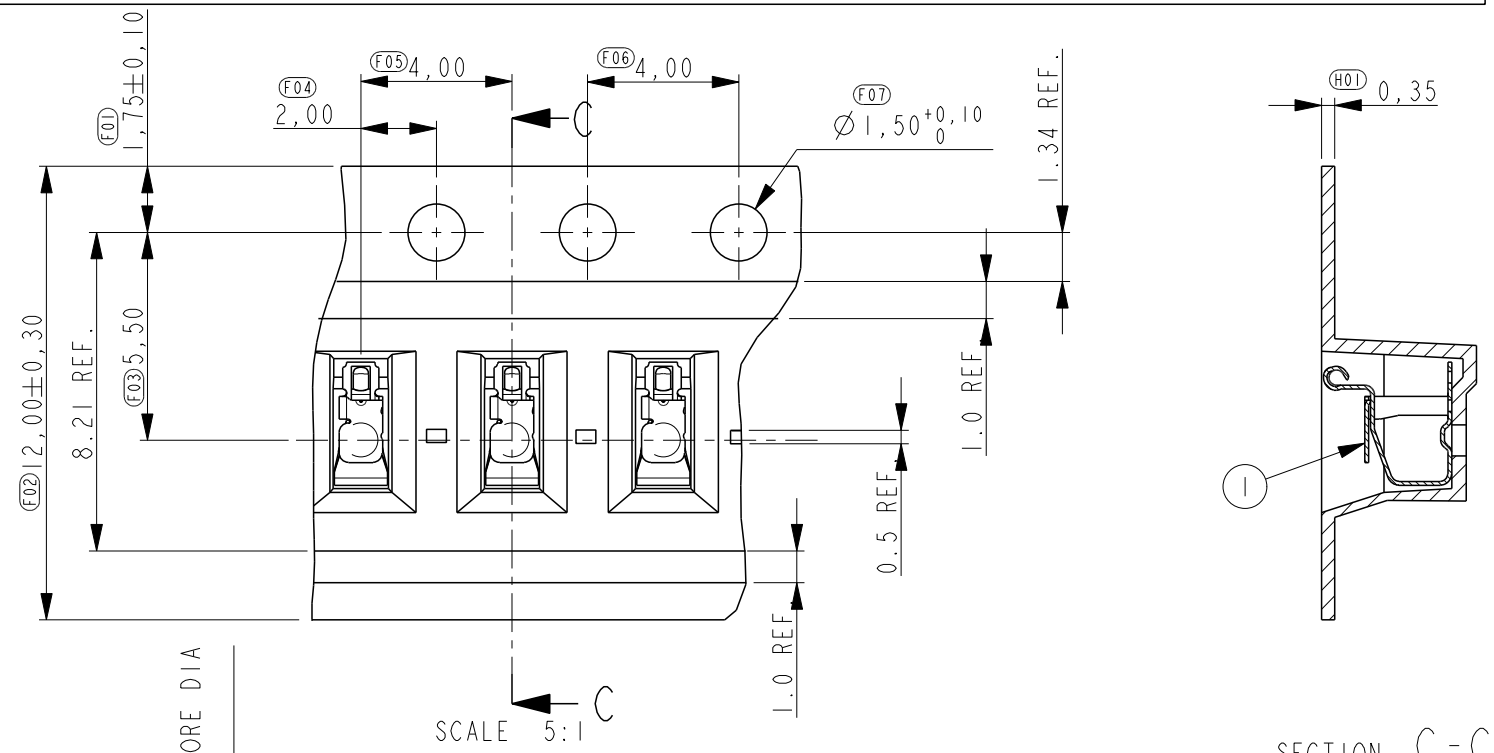
- 1 PART NUMBER: 1551576-5 AS SHOWN.
- 2 MATERIAL: STAINLESS STEEL.
- 3 PLATING: 1,3um MIN. NICKEL UNDERLAYER ALL OVER
 ZONE 1: 0,30um MIN. GOLD
 ZONE 2: 0,01-0,2um GOLD FLASH
- 4 NORMAL FORCE: 0.6±0.2N AT NORMAL HEIGHT 2.8MM.
- 5 INDICATED SURFACE TO BE USED AS PICK AND PLACE SURFACE.



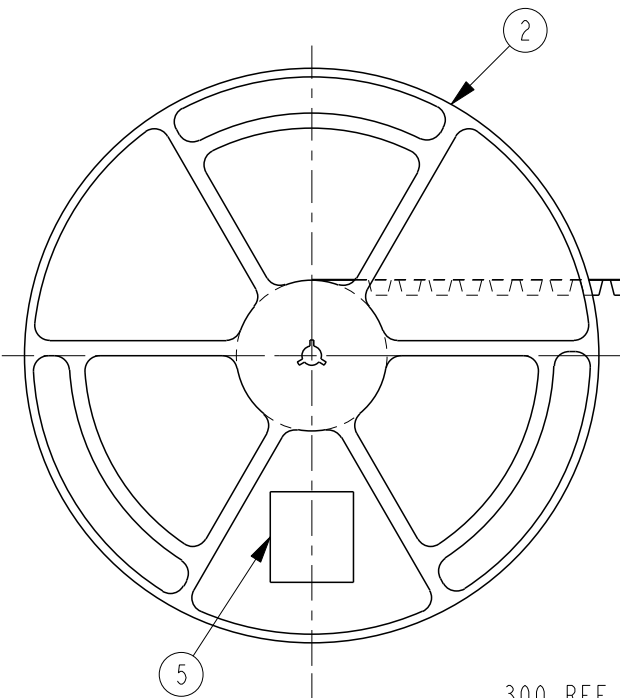
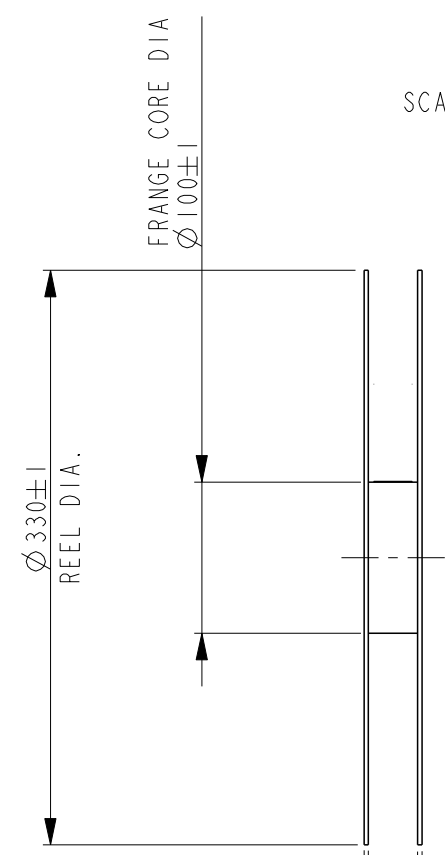
THIS DRAWING IS A CONTROLLED DOCUMENT.		DWN 15NOV2011 Tony Zhang		TE Connectivity	
		CHK 15NOV2011 Xu Xiang			
		APVD 15NOV2011 Steven Yao		NAME	
		PRODUCT SPEC 108-115008		SPRING FINGER H=3,40	
		APPLICATION SPEC			
DIMENSIONS: mm		TOLERANCES UNLESS OTHERWISE SPECIFIED:		SIZE CAGE CODE DRAWING NO RESTRICTED TO	
		0 PLC ±0.2		A3 00779 C=1551576	
		1 PLC ±0.1			
		2 PLC ±0.1			
		3 PLC ±0.05			
		4 PLC ±			
		ANGLES ±5°			
MATERIAL 2		FINISH 3		WEIGHT	
				CUSTOMER DRAWING	
				SCALE 25:1 SHEET 1 OF 2 REV A1	

THIS DRAWING IS UNPUBLISHED. RELEASED FOR PUBLICATION
 © COPYRIGHT - BY - ALL RIGHTS RESERVED.

LOC	DIST	REVISIONS			
P	LTR	DESCRIPTION	DATE	DWN	APVD
ES	00	SEE SHEET 1	-	-	-



SECTION C-C



1000mm REF WEEDING THE COVER TAPE.
 165°~180° PEELING ANGLE
 0.1~1.3N(300mm/min) PEELING STRENGTH

QTY	DESCRIPTION	ITEM
1	LABEL	(5)
1	COVER TAPE (HEAT SEALING)	(4)
1	EMBOSS	(3)
1	PLASTIC REEL	(2)
4000	SPRING FINGER	(1)

300 REF WITHOUT CHARGE WITH PRODUCT CHARGE 4000EA/IREEL WITHOUT CHARGE 100~125HOLES

THIS DRAWING IS A CONTROLLED DOCUMENT.

DIMENSIONS: mm	TOLERANCES UNLESS OTHERWISE SPECIFIED: 0 PLC ±0.2 1 PLC ±0.1 2 PLC ±0.1 3 PLC ±0.05 4 PLC ANGLES ±5°	DWN	TE Connectivity NAME: SPRING FINGER H=3,40 SIZE: A3 CAGE CODE: 00779 DRAWING NO: C-1551576
MATERIAL	FINISH	CHK	
		APVD	
		PRODUCT SPEC	
		APPLICATION SPEC	
		WEIGHT	RESTRICTED TO
CUSTOMER DRAWING		SCALE: 25:1	SHEET 2 OF 2 REV A1